

Service Trolleys Platform Trolley 600 mm

ITEM # _____

MODEL # _____

NAME # _____

SIS # _____

AIA # _____



361230 (STR601)

Platform Trolley 600mm

Short Form Specification

Item No. _____

Constructed in 304 AISI stainless steel. Framework in mm25 tubing, completely welded. Seamless, sound-absorbing, platform shelf with double-folded edges. The handle is an extension of the load-bearing frame. N. 4 swivelling castors, two with brakes, mm125 in diameter, fitted with plastic bumpers. Platform size mm600x600. Load capacity: 150 kg, uniformly distributed.

Main Features

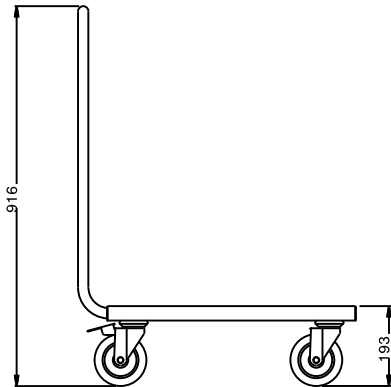
- Ideal to transport kitchenware and dishwashing racks.
- Framework in 25 mm tubing, completely welded.
- Load capacity of 150 kg uniformly distributed.
- Seamless sound-absorbing platform shelf with double-folded edges welded to the framework.
- Platform shelf size 600x600 mm.
- Handle is an extension of the load-bearing frame.
- 4 pivoting Ø 125 mm wheels, 2 of which with brakes, fitted with plastic bumpers

Construction

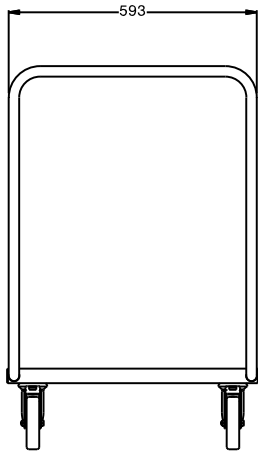
- Constructed entirely in 304 AISI stainless steel.

APPROVAL: _____

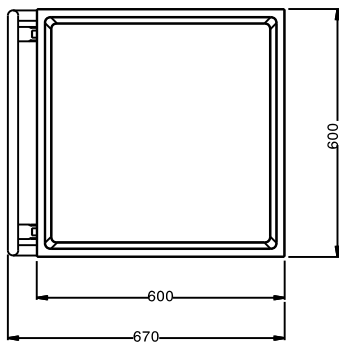
Front



Side



Top



Key Information:

| | |
|-------------------------------------|-------------|
| External dimensions, Width: | |
| 361230 (STR601) | 670 mm |
| External dimensions, Depth: | 600 mm |
| External dimensions, Height: | 900 mm |
| Wheel material: | Zinc plated |
| Wheel diameter: | Ø 125 |
| Net weight: | 13 kg |